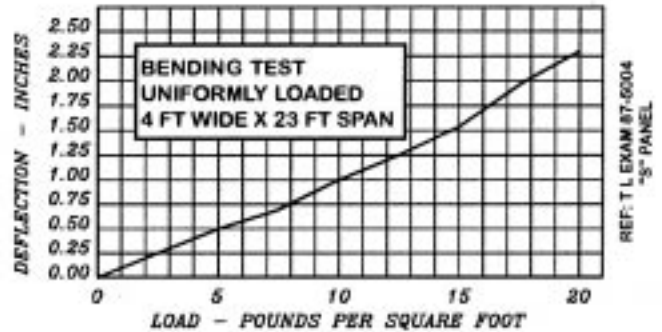
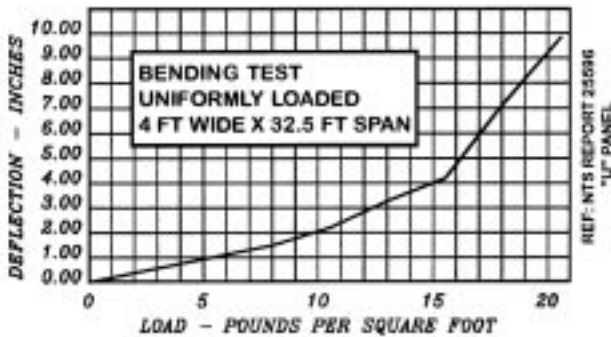




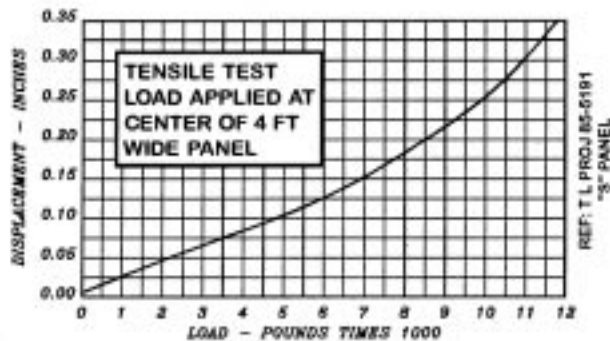
**ALPHA<sup>®</sup> series**

**STRUCTURAL TESTING OF OPERABLE WALL PANELS**

**BENDING LOAD**



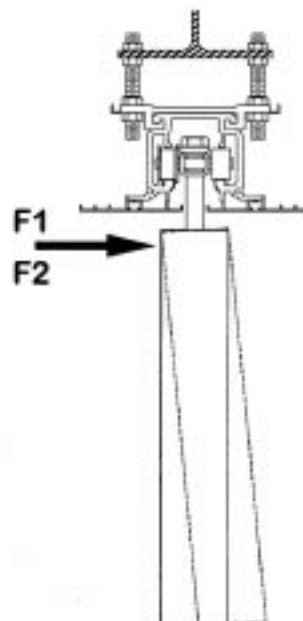
**TENSILE LOAD**



**LATERAL LOAD**

**F1 4,378 pounds**  
PANEL UNRESTRAINED  
ROTATES APPROX. 5 DEGREES  
NO PERMANENT DEFORMATION

**F2 4,878 pounds**  
PANEL RESTRAINED AT 7 1/2 DEGREES  
TROLLEY BOLTS BENT  
NO OTHER PERMANENT DEFORMATION



REF: T L EXAM 95-9-000520  
"U" PANEL, 4 FT WIDE  
SUPERTRACK  
TWO TROLLEYS

**COMPLETE TEST  
REPORTS AVAILABLE  
ON REQUEST OF  
QUALIFIED USERS**

**ALPHA<sup>®</sup> all welded all steel 10 year limited warranty**

ADVANCED EQUIPMENT CORPORATION 1998 COPYRIGHT

FORM 2003 8-95

- ◆ strength and rigidity - the *foundation* of consistent high performance and unmatched durability
- ◆ verified design integrity
- ◆ enables specifiers to rationally define operable wall properties